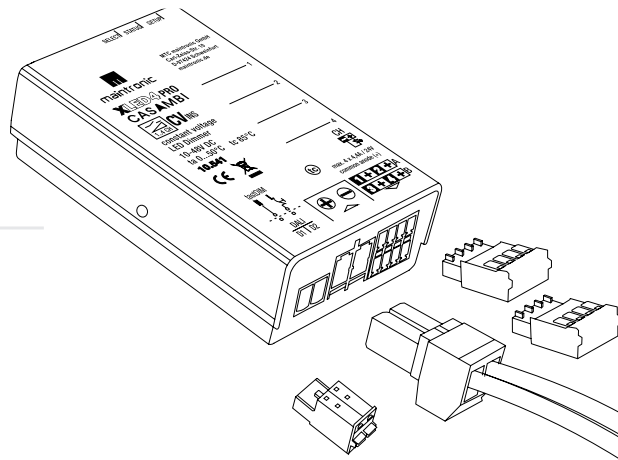


XLED4 CV Casambi

Casambi LED Dimmer 1-4CH 4,4A 10-48V

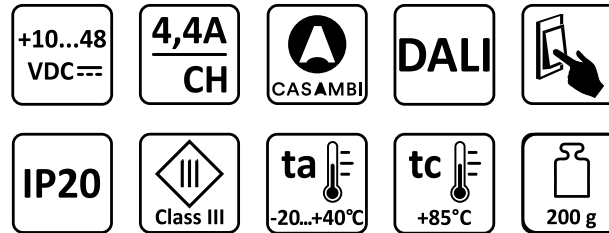
Item No. 10.541

Installationguide EN



1. Functions and features

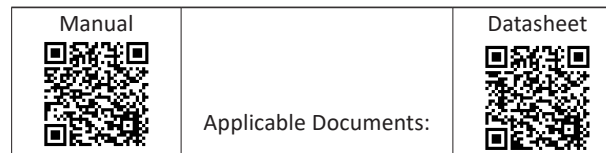
- PWM LED-Dimmer for constant voltage LEDs
- 1-4 Outputs, common anode (+)
- Output current: 4,4A | CH, 17,6A max.
- Operation modes: Tuneable white, RGB+W, 1...4CH
- Control: Casambi, DALI / PushButton
- Plus Features: variable Fade-Time, Soft-Off, Dimm-Speed



2. Intended use

For brightness control of 1 to 4 channel LED strips in conjunction with a suitable constant voltage power supply. Can be controlled with Casambi and DALI parallel to each other.

- Only approved for indoor use
- Installation in wall, ceiling, cavity, switch boxes or alternatively with enclosed bracket on DIN rail



3. Installation



IMPORTANT - Do not cover the device to avoid overheating. Minimum distances of 25mm when mounting must be ensured for an air exchange. A sufficient distance to flammable materials is necessary.

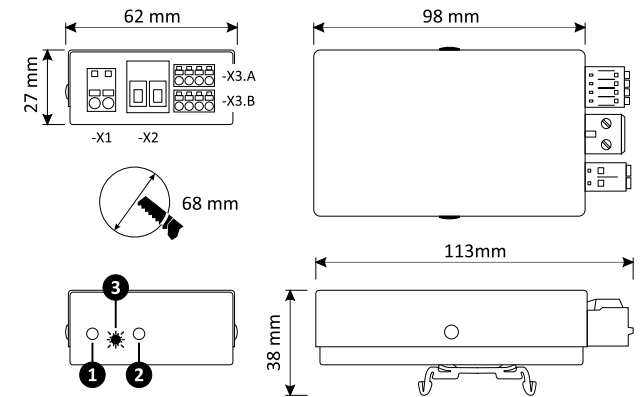


Fig. 1 - Housing dimensions and connections

The scope of delivery includes DIN rail brackets. Press the locking lugs (a) into the holes on the back of the device and engage.

Indentation (b) must face outwards in order to be able to apply a screwdriver when disassembling.

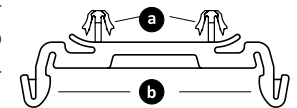


Fig. 2 - DIN rail brackets

Hardware:	H3e	Firmware:	F1.7
Document:	10541_IN_en_XLED4CVCasambi_20201214		



4. Controls and indicators

See figure 1

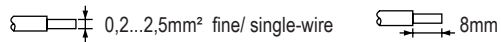
1	SETUP-button	Manual dimming
2	SELECT-button	Channel selection
3	Status-LED	

5. Connections

IMPORTANT - Disconnect the mains voltage before connecting LEDs.

5.1 DALI (-X1)

For connection to a DALI bus (DA; DA)



5.2 Power supply (-X2)

The dimmer is powered by a constant voltage power supply (pulse-proof and voltage-stable) 10-48V DC, with at least 20% higher power than the rated power of the connected LEDs.



WARNING - The device is equipped with a protection against reverse polarity. Pay attention to the correct connection of positive and negative pole, otherwise the unit is shut down for safety reasons and must be returned for repair to the manufacturer.

5.3 Outputs LED (-X3)

Connection for LED-Stripes with common anode (+).

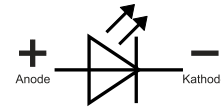
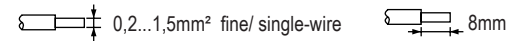


Fig. 3



5.3.1. Application with 4 independent outputs

- Each channel match with one DALI short address (DT 6).
- The max. current consumption per color is 4,4A.

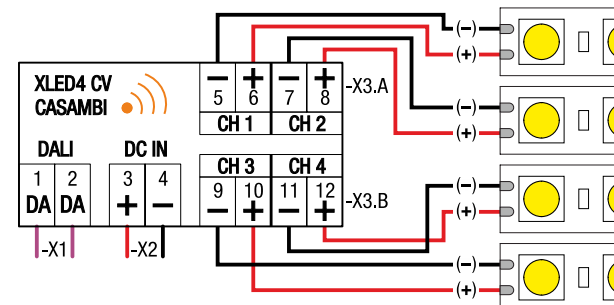


Fig. 4 - Profile: 4 CH DIM

5.3.2. Application as RGB+W light

- Bridge positive poles (pins 6,8,10,12)!
- Select profile "RGB-W" within the Casambi app
- The max. current consumption per color is 4,4A.
- RGB+W match with one DALI short address (DT 8).

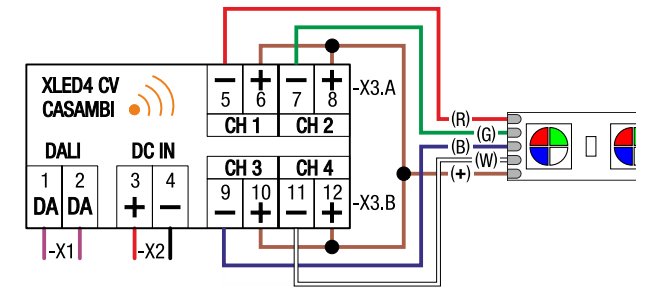


Fig. 5 - Profile: RGB+W

5.3.3. Channel-Link (bundled channels)

For tuneable white, 1- or 2-channel operation, the outputs must be bridged and the appropriate profile selected in the app. These bridges add up the maximum connected load per color.

Step by step:

1. Restore to delivery state (RESET)
2. Bridge outputs
3. Connect LED's to the linked channel
4. Select a profile proper profile for 1, 2 CH or TW

After the power-on, the outputs are getting measured. If channels are physically bridged, the dimmer recognizes and sets a channel link on these channels.

i **NOTE** - As long as no suitable profile has been loaded, do not start up the device.

For a channel link, the total load of the bundled channels must be over 4.4A (= max. Power of an individual channel). Its not allowed to link channels below a total output of 4.4A.

5.3.4. Application as tunable white light

- Bridge positive poles (pins 6,8,10,12)!
- Bridge minus poles (pins 5,7 warmwhite and pin 9, 11 coldwhite)!
- Select profile "2 CH TW" within the Casambi app
- The max. current consumption per color is 8,8A.
- Tunable white match with one DALI short address (DT 8).

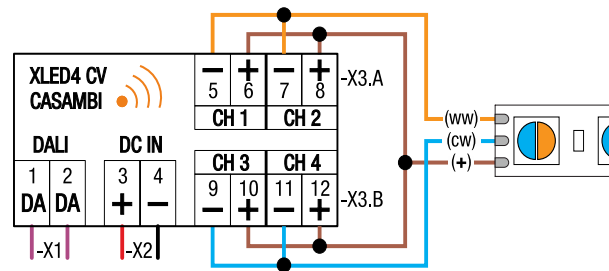


Fig. 6 - Profile: 2 CH TW

5.3.5. Application with 2 independent outputs

- Bridge positive poles (pins 6,8,10,12)!
- Bridge minus poles (pins 5,7 CH1 and pin 9, 11 CH2)!
- Select profile "2 CH DIM" within the Casambi app
- The max. current consumption per color is 8,8A.
- Each color match with one DALI short address (DT 6).

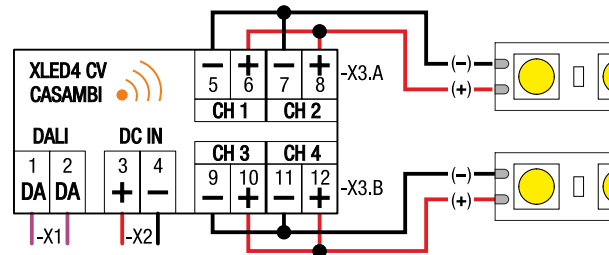


Fig. 7 - Profile: 2 CH DIM

5.3.6. Application with 1 Output

- Bridge positive poles (pins 6,8,10,12)!
- Bridge minus poles (pins 5,7 and pin 9, 11)!
- Select profile „1 CH DIM“ within the Casambi app .
- The max. current consumption is 17,6A.
- Application matches with one DALI short address (DT 6).

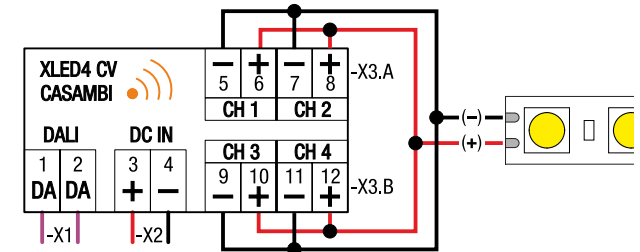


Fig. 8 - Profile: 1 CH DIM

6. Control with Casambi or DALI

The dimmer XLED CV Casambi has a Bluetooth Casambi interface and can be operated via smartphone.

In addition, the dimmer is also equipped with a DALI interface and works according to the DALI standard.

For detailed information, please refer to the document „XLED4 CV Casambi manual“.
www.maintronic.com

© 2020 - maintronic® GmbH reserve the right to make technical changes and product improvement without prior notice.
Mistakes and typing errors reserved. All rights reserved.

© 2020 - maintronic® GmbH behält sich das Recht vor, technische Änderungen und Produktverbesserungen jederzeit ohne vorherige Ankündigung vorzunehmen.
Irrtum und Druckfehler vorbehalten.



MTC maintronic GmbH
Carl-Zeiss-Str. 10-14
D-97424 Schweinfurt/Germany

Tel: +49 (0)9721-7766-0
www.maintronic.de
support@maintronic.de